

**TOWN SQUARE® S 60" x 30"
BATHING POOL with APRON**

- 2545102 BATHING POOL**
Right Drain
- 2545202 BATHING POOL**
Left Drain

Product Features:

- High-gloss acrylic with fiberglass reinforcement
- Integral apron with clean, traditional style
- Integral three-sided, 1" tiling/water retention flange helps prevent water seepage
- Coordinates with Town Square® S bathroom suite making a complete bathroom remodel easier
- Sloped lumbar support for more comfortable bathing experience
- For recess installation
- Limited Lifetime warranty
- Pre-leveled tub bottom for easier installation

Nominal Dimensions:

60" x 30" x 19"
(1524 x 762 x 483mm)

**Compliance Certifications -
Meets or Exceeds the Following Specifications:**

- CSA B45.5-11 / IAPMO Z124
- cUPC



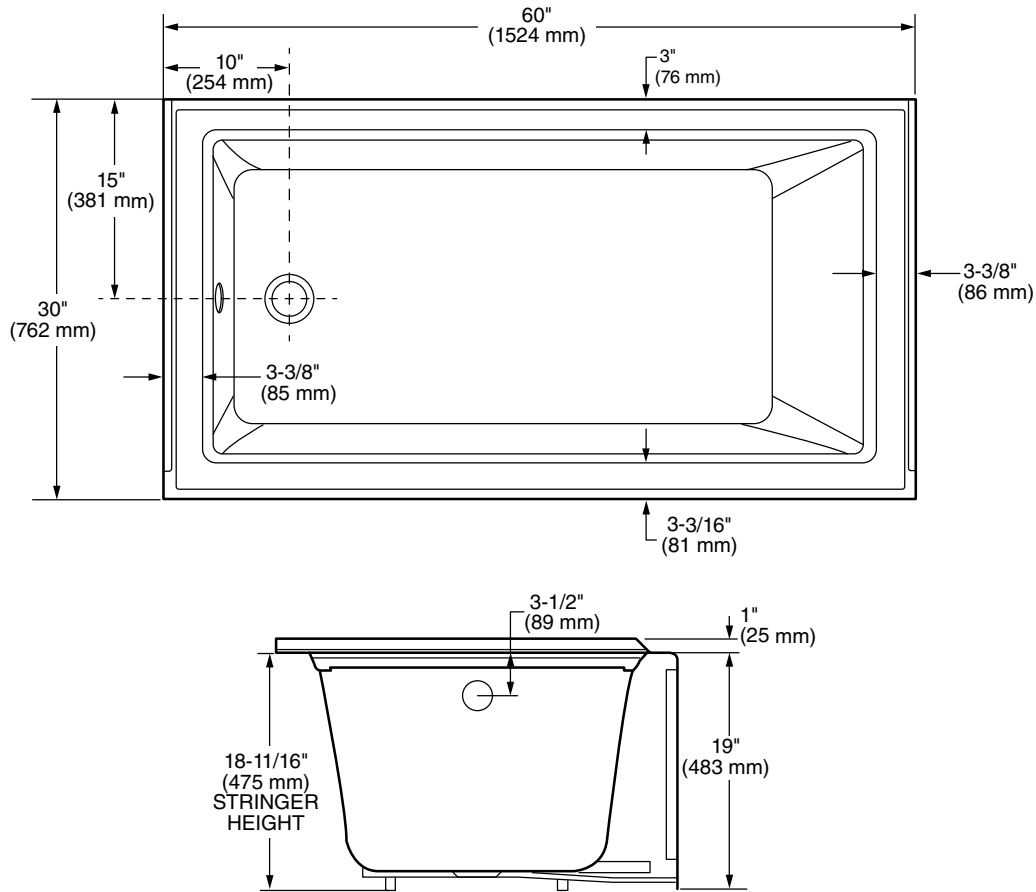
SEE REVERSE FOR ROUGHING-IN DIMENSIONS
AND PRODUCT SPECIFICATIONS

To Be Specified - Required

- Color: 020 White 222 Linen
- Bath Faucet*:
- Faucet Finish:
- Drain*:
- Drain Finish:

*See American Standard faucet and drain section of Product Selector

TOWN SQUARE® S 60" x 30" BATHING POOL with BUILT-IN APRON
HIGH GLOSS ACRYLIC



GENERAL SPECIFICATIONS FOR 2545102/202 TUB	
INSTALLED SIZE _____	60 x 30 x 19 In. (1524 x 762 x 483mm)
WEIGHT _____	70 Lbs. (32 Kg)
WEIGHT w/WATER _____	458 Lbs.(208 Kg)
GAL. TO OVERFLOW _____	47 Gal. (176 L)
BATHING WELL AT SUMP_____	18-7/16 x 43-1/4 In. (468 x 1098mm)
BATHING WELL AT RIM ____	23-13/16 x 53-1/4 In.(605 x 1353mm)
WATER DEPTH TO OVERFLOW _____	12-3/4 In. (324mm)
FLOOR LOADING _____	37 Lbs./Sq.Ft. (179 Kgs/Sq.m)
(PROJECTED AREA)	
PTS. _____	10.18
CUBE (FT ³) _____	26.39

NOTES:

- BATH TO BE INSTALLED ABOVE FLOOR LINE AS A RECESS INSTALLATION.
- REFER TO INSTALLATION INSTRUCTIONS SUPPLIED WITH TUB FOR ADDITIONAL INFORMATION.
- FITTINGS NOT INCLUDED AND MUST BE ORDERED SEPARATELY.
- PROVIDE SUITABLE REINFORCEMENT FOR ALL SUPPORTS.
- MOUNTING HOLES DRILLED BY INSTALLER.

IMPORTANT: Dimensions of fixtures are nominal and may vary within the range of tolerances established by ANSI Standard CSA B45.5-11/IAPMO Z124-2011. These measurements are subject to change or cancellation. No responsibility is assumed for use of superseded or voided pages.