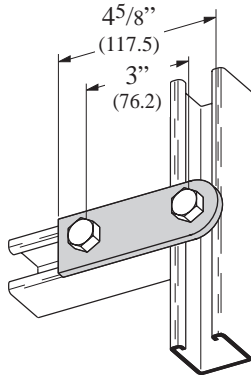
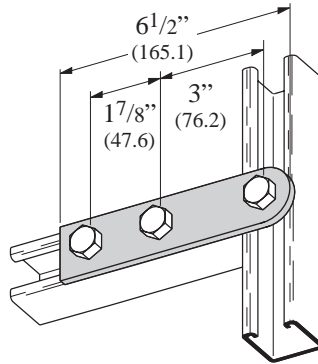


FLAT PLATE FITTINGS

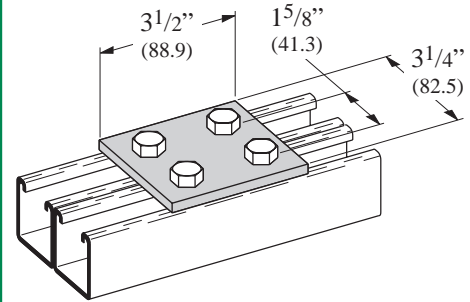
B138
TWO HOLE SWIVEL PLATE
 •Standard finishes: ZN, GRN
 •Wt./C 48 Lbs. (21.8 kg)



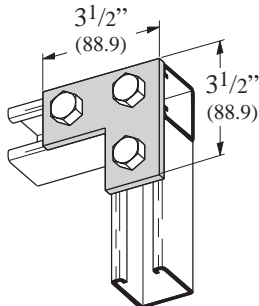
B139
THREE HOLE SWIVEL PLATE
 •Standard finishes: ZN, GRN
 •Wt./C 69 Lbs. (31.3 kg)



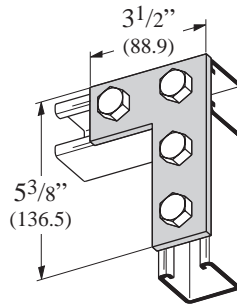
B504
FOUR HOLE SPLICE PLATE
 •Standard finishes: ZN, GRN
 •Wt./C 73 Lbs. (33.1 kg)



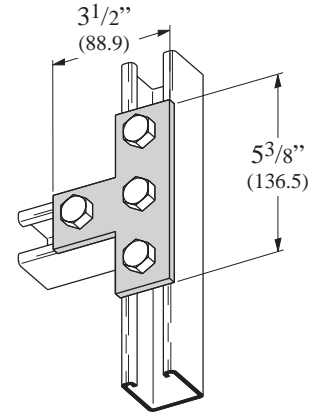
B140
THREE HOLE CORNER PLATE
 •Standard finishes: ZN, GRN, HDG, SS4
 •Wt./C 56 Lbs. (25.4 kg)



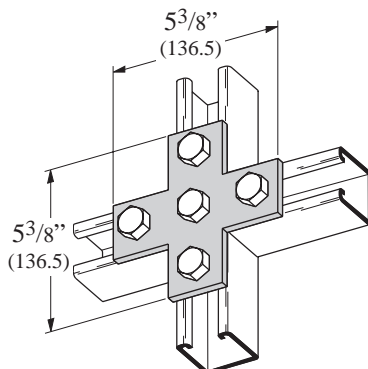
B143
FOUR HOLE CORNER PLATE
 •Standard finishes: ZN, GRN, HDG, SS4
 •Wt./C 75 Lbs. (34.0 kg)



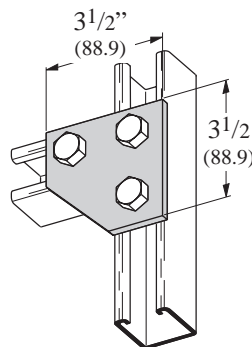
B133
FOUR HOLE TEE PLATE
 •Standard finishes: ZN, GRN, HDG, SS4, AL
 •Wt./C 75 Lbs. (34.0 kg)



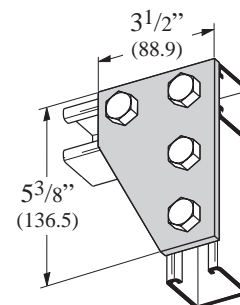
B132
FIVE HOLE CROSS PLATE
 •Standard finishes: ZN, GRN, HDG
 •Wt./C 100 Lbs. (45.3 kg)



B135
THREE HOLE CORNER GUSSET PLATE
 •Standard finishes: ZN, GRN
 •Wt./C 70 Lbs. (31.7 kg)



B142
FOUR HOLE CORNER GUSSET PLATE
 •Standard finishes: ZN, GRN, HDG
 •Wt./C 102 Lbs. (46.2 kg)



PIPE/CONDUIT CLAMPS & HANGERS

B-Line's beam attachments and pipe supports offered in this section are designed to provide supports without drilling or welding. A complete selection of beam clamps, pipe clamps, rollers, supports and accessories are designed for use with B-Line channels and offer many installation advantages.

Materials & Finishes*

Pipe clamps, pipe hangers, beam clamps, brackets, and rollers are made from low carbon steel strips, plates or rod unless noted.

Finish Code	Finish	Specification
PLN	Plain	ASTM A570 Gr. 33
ZN	Electro-Plated Zinc	ASTM B633 SC3 Type III
GRN	Dura-Green	TT-C-490B
DCU	Dura-Copper	TT-C-490B
HDG	Hot-Dipped Galvanized	ASTM A123
SS4	Stainless Steel Type 304	ASTM A240
SS6	Stainless Steel Type 316	ASTM A240
AL	Aluminum	ASTM B209

*Unless otherwise noted.

Load Data

The load data published includes a safety factor of 5.0 unless noted (safety factor = ratio of ultimate load to the design load).

Recommended Torque For Setscrews (unless noted)

Setscrew Size	1/4-20	3/8-16	1/2-13
Foot/Lbs.	4	5	11
Nm	5	7	15

Setscrew Size	5/8-11	3/4-10
Foot/Lbs.	21	34
Nm	28	46

*See chart on page 58 for bolt torque.

Metric

Metric dimensions are shown in parentheses. Unless noted, all metric dimensions are in millimeters.

