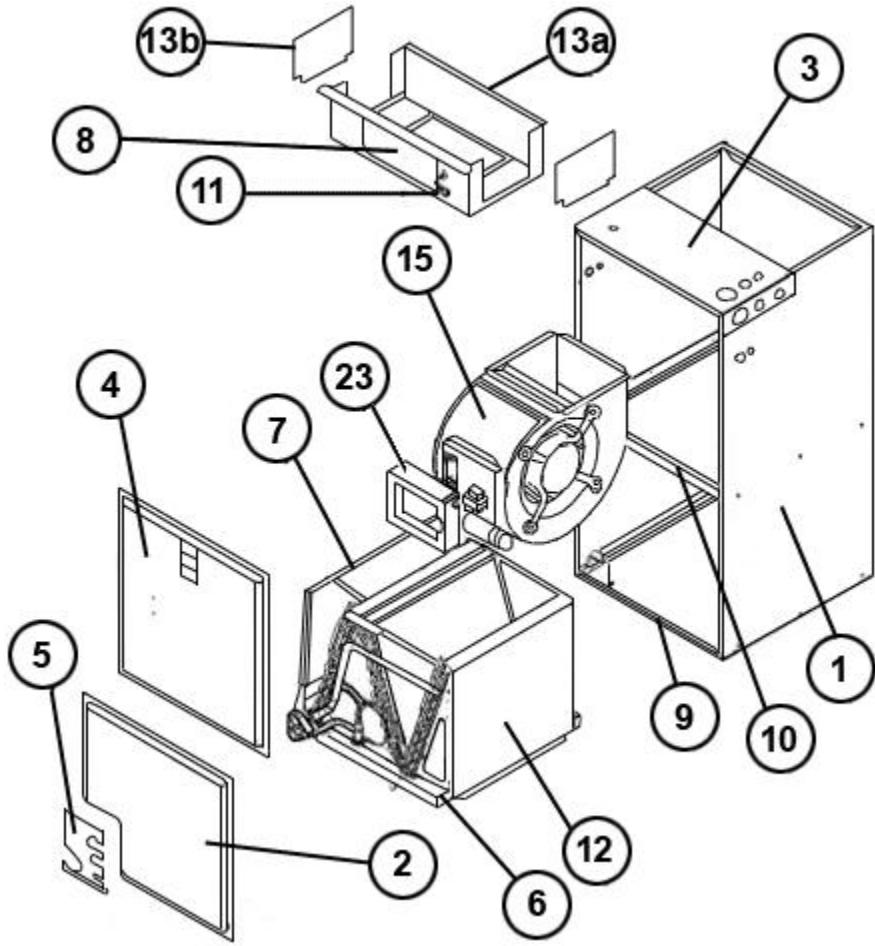
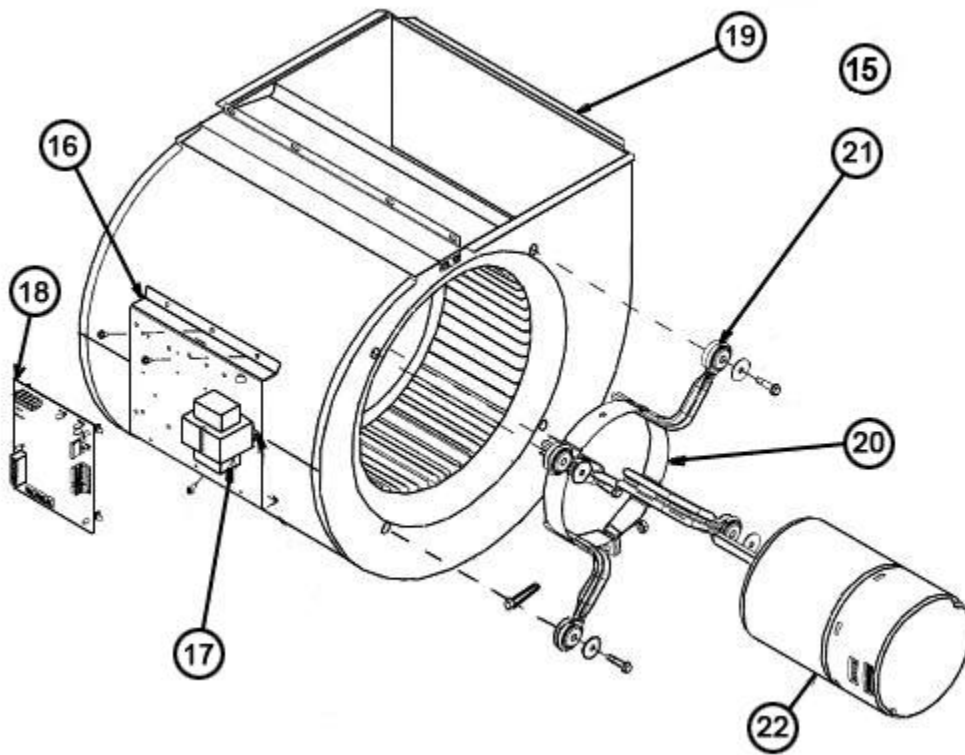


| No.                 | Notes | MODEL  | RHPL                 | RHPL         | RHPL         | RHPL         | RHPL         |
|---------------------|-------|--|----------------------|--------------|--------------|--------------|--------------|
|                     |       | CAPACITY   | 24                   | 36           | 38           | 48           | 60           |
|                     |       | CABINET SIZE   | 21                   | 21           | 21           | 24           | 24           |
|                     |       | VOLTAGE  | J                    | J            | J            | J            | J            |
|                     |       | VARIATION  | C                    | C            | C            | C            | C            |
| <b>BLOWER GROUP</b> |       |  |                      |              |              |              |              |
| 15                  | Stk   | Blower Assembly (Includes items 16-22)                   | AS-101885-11         | AS-101885-12 | AS-101885-20 | AS-101885-13 | AS-101885-13 |
| 16                  |       | Mounting Bracket - Control Board                         | AE-101049-01         | AE-101049-01 | AE-101049-01 | AE-101049-01 | AE-101049-01 |
| 17                  |       | Transformer  | See Electrical Group |              |              |              |              |
| 18                  |       | Control Board - ECM                                      | See Electrical Group |              |              |              |              |
| 19                  |       | Blower Housing w/Wheel                                   | 70-101729-02         | 70-101729-02 | 70-101729-08 | 70-101729-04 | 70-101729-04 |
|                     | Stk   | Blower Wheel   | 703014               | 703014       | 703023       | 703015       | 703015       |
| 20                  |       | Motor Mount - Band                                       | 70-19927-04          | 70-19927-04  | 70-19927-04  | 70-19927-04  | 70-19927-04  |
| 21                  |       | Motor Mount - Arm (4)                                    | 70-19929-10          | 70-19929-10  | 70-19929-10  | 70-19929-10  | 70-19929-10  |
| 22                  | Stk,1 | Blower Motor - ECM (See Note 1)                          | 51-102601-01         | 51-102602-01 | 51-102602-01 | 51-102603-01 | 51-102603-01 |
|                     | Stk,1 | ECM Motor Module - U.S. Motors PerfectSpeed (See Note 1) | 51-104362-04         | 51-104362-03 | 51-104362-03 | 51-104362-02 | 51-104362-02 |
|                     | Stk,1 | ECM Motor Module - Genteq ECM 3.0 (See Note 1)           | 51-103225-01         | 51-103226-01 | 51-103226-01 | 51-103224-01 | 51-103224-01 |
|                     |       | Wiring Harness - Indoor Blower Motor                     | See Electrical Group |              |              |              |              |
| 23                  |       | Mounting Bracket Cover                                   | AE-101797-01         | AE-101797-01 | AE-101797-01 | AE-101797-01 | AE-101797-01 |

| No.                 | Notes | MODEL  | RHPL                 | RHPL         | RHPL         | RHPL         |
|---------------------|-------|--|----------------------|--------------|--------------|--------------|
|                     |       | CAPACITY                                       | 24                   | 36           | 48           | 60           |
|                     |       | CABINET SIZE                                   | 21                   | 21           | 24           | 24           |
|                     |       | VOLTAGE  | J                    | J            | J            | J            |
|                     |       | VARIATION                                      | A                    | A            | A            | A            |
| <b>BLOWER GROUP</b> |       |  |                      |              |              |              |
| 15                  | Stk   | Blower Assembly (Includes items 16-22)         | AS-101885-05         | AS-101885-06 | AS-101885-07 | AS-101885-08 |
| 16                  |       | Mounting Bracket - Control Board               | AE-101049-01         | AE-101049-01 | AE-101049-01 | AE-101049-01 |
| 17                  |       | Transformer                                    | See Electrical Group |              |              |              |
| 18                  |       | Control Board - ECM                            | See Electrical Group |              |              |              |
| 19                  |       | Blower Housing w/Wheel                         | 70-101729-02         | 70-101729-02 | 70-101729-04 | 70-101729-04 |
|                     | Stk   | Blower Wheel                                   | 703014               | 703014       | 703015       | 703015       |
| 20                  |       | Motor Mount - Band                             | 70-19927-04          | 70-19927-04  | 70-19927-04  | 70-19927-04  |
| 21                  |       | Motor Mount - Arm (4)                          | 70-19929-10          | 70-19929-10  | 70-19929-10  | 70-19929-10  |
| 22                  | Stk   | Blower Motor - ECM (Includes Motor and Module) | 51-24373-09          | 51-24374-25  | 51-24375-18  | 51-24375-19  |
|                     | Stk   | ECM Motor Module                               | 51-24381-97          | 51-24382-105 | 51-24384-108 | 51-24384-98  |
|                     |       | Wiring Harness - Indoor Blower Motor           | See Electrical Group |              |              |              |
| 23                  |       | Mounting Bracket Cover                         | AE-101797-01         | AE-101797-01 | AE-101797-01 | AE-101797-01 |



Exploded View



Blower Assembly