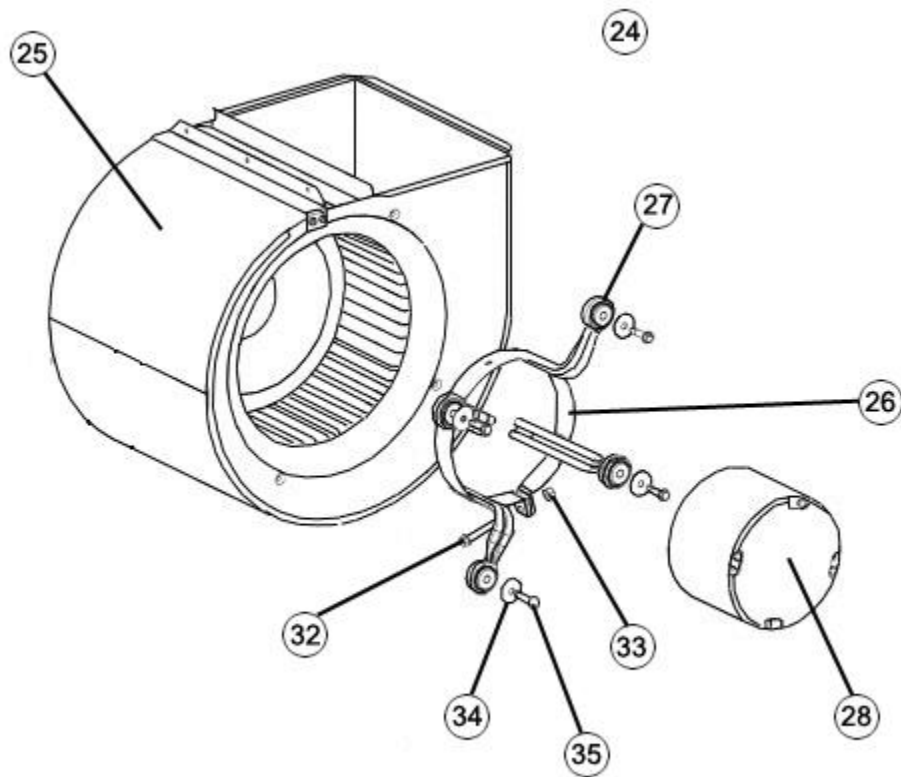


No.	Notes	MODEL CABINET CAPACITY VOLTAGE	RHBL- FR 24 J	RHBL- FR 36 J
PANELS, SHEET METAL, MISCELLANEOUS				
1	1	Top Panel	AE-103095-05	AE-103095-03
		Insulation - Top Panel	68-103240-09	68-103240-02
		Wire Insulation Retainer	45-102868-06	45-102868-07
		Bushing - Strain Relief (Routing for Thermostat Wires)	45-17055-19	45-17055-19
		Grommet - 3/8 O.D. Tube	56-22521-02	56-22521-02
		Grommet - Header Tube	56-22521-05	56-22521-05
2	1	Blower Door (Models without Heater Kit)	AE-103093-07	AE-103093-08
2	1	Blower Door (Models with Heater Kit)	AE-103093-01	AE-103093-04
		Insulation - Blower Door	68-103240-03	68-103240-13
3	1	Bottom Panel	AE-103098-03	AE-103098-12
		Insulation - Bottom Panel	68-103240-17	68-103240-05
4	1	Middle (Front) Brace	AE-103219-01	AE-103219-02
		Insulation - Middle (Front) Brace	68-103240-07	68-103240-12
5		Bottom Brace	AE-103100-01	AE-103100-02
6		Plate - Block Off (No Heat)	AE-103098-11	AE-103098-11
7		Barrier - Heater Box	AE-103098-08	AE-103098-02
8		Mounting Bracket - Cabinet	AE-103105-01	AE-103105-01
9		Mounting Bracket - Wall	AE-103105-02	AE-103105-02
10		Blower Shelf	AE-103096-05	AE-103096-04
		Bushing - Universal Open/Closed (Beside Control Board)	45-103252-02	45-103252-02
		Bushing - Strain Relief (Wire Routing from Blower Motor)	45-17055-11	45-17055-11
11		Divider Panel - Heater Box	AE-103098-10	AE-103098-04
12		Front Panel - Heater Box	AE-103098-09	AE-103098-13
13		Filter	54-17531-04	54-17531-06
14		Filter Retainer (4)	AE-103218-01	N/A
14		Filter Rail (2)	N/A	AE-103218-04
15		Cover - Circuit Breaker	68-103316-01	68-103316-01
16		Coil Bracket - Left	See Coil Group	
17		Coil Bracket - Right	See Coil Group	
18		Drain Pan	See Coil Group	
19		Coil	See Coil Group	
36		Control Cover	AE-103328-01	AE-103328-01

No.	Notes	MODEL CABINET CAPACITY VOLTAGE	RHBL- FR 24 J	RHBL- FR 36 J
ELECTRICAL GROUP				
20	Stk	Transformer	46-101905-01	46-101905-01
21	Stk	Control Board	47-100436-02	47-100436-02
22		Terminal Block	45-23222-02	45-23222-02
23		Grounding Lug	45-19000-01	45-19000-01
		Switch - Drain Pan Overflow Protection (Option 417)	42-103356-01	42-103356-01
		Wiring Harness - 6 Pin Plug to 6 Stripped Wires (For T-Stat)	45-101891-03	45-101891-03
		Wiring Harness - 2 Pin Molex to 2 Stripped Leads (Power Input to Terminal Block)	45-24371-57	45-24371-57
		Circuit Breaker	See Heater Kit Parts List	
		Wiring Harness - Circuit Breaker to 2 Pin Connector	See Heater Kit Parts List	
		Wiring Harness - 4 Pin Connector from Control Board to Heater	See Heater Kit Parts List	

No.	Notes	MODEL CABINET CAPACITY VOLTAGE	RHBL- FR 24 J	RHBL- FR 36 J
BLOWER GROUP				
24	Stk	Blower Assembly (Includes items listed below)	AS-103222-05	AS-103222-06
25		Blower Housing w/Wheel	70-103221-02	70-103221-01
	Stk	Blower Wheel	703022	703021
26		Motor Mount - Band	70-19927-04	70-19927-04
27		Motor Mount - Arm (4)	70-19929-10	70-19929-11
28	Stk	Blower Motor (X-13)	51-101879-07	51-101880-18
32		Bolt	63-19919-01	63-19919-01
33		Locknut	63-17189-03	63-17189-03
34		Washer (4)	63-26198-02	63-26198-02
35		Screw (4)	63-101978-01	63-101978-01



Blower Assembly