



4675 W. 160th St.  
Cleveland, Ohio 44135  
Ph: (800) 321-9532  
Fax: (800) 321-9535  
www.dearbornbrass.com

SUBMITTAL SPECIFICATION

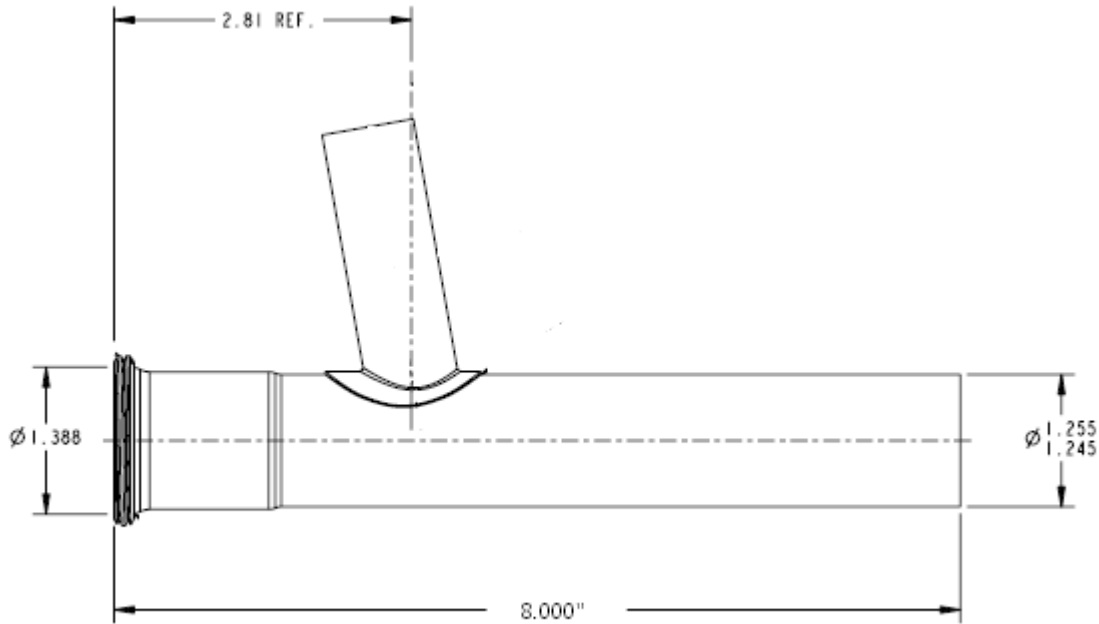
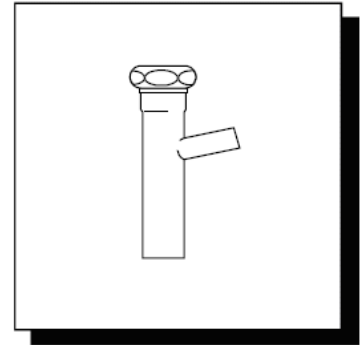
**BRASS TUBULAR  
1-¼" BRANCH TAILPIECES  
WITH HOSE & CLAMP OR SLIP JOINT CONNECTION**

**Engineering Specification:** Dearborn Brass 1-¼" Brass Tubular Branch Tailpieces with Hose & Clamp or Slip Joint Connection are designed for use in tubular drain applications. Options include Unfinished Brass.

**Job Reference**

**DESCRIPTION**

- Chrome or Rough Brass Finish
- 20 Gauge Brass
- Branch Tailpiece with Hose & Clamp Connection
  - Branch Tailpiece with ⅞" Branch
- Can be used with Hose & Clamp or Slip Joint Connection



| ✓ | Product No. | Description   | Carton Quantity | Carton Weight (lbs) |
|---|-------------|---|-----------------|---------------------|
|   | 817ET-1     | 1-¼" x 8" Branch Tailpiece, Hose & Clamp/Slip Joint Top with ⅞" Branch (Nut Down)-20 Gauge                                | 10              | 5                   |
|   | 817ETBN-1   | 1-¼" x 8" Branch Tailpiece, Hose & Clamp/Slip Joint Top with ⅞" Branch & Brass Nut (Nut Down)-20 Gauge                    | 10              | 6                   |
|   | 817ETBN-3   | 1-¼" x 8" Branch Tailpiece, Hose & Clamp/Slip Joint Top with ⅞" Branch & Brass Nut (Nut Down)-20 Gauge - Unfinished Brass | 10              | 6                   |

Data is subject to manufacturing tolerances.