

- P4C-500C**       **P4C-500BN**
- P4C-500CL**     **P4C-500BNL**



## **4" Single Handle Lavatory Faucet**

# **Product Spec Sheet**



### **FEATURES & BENEFITS**

- This Product Contains Less Than 0.25% Weighted Average Lead Content On Wetted Surfaces
- Metal Lever Handle
- Stainless Steel Ball Valve
- Brass Pop-up
- Max Flow Rate 1.2 GPM (4.5 L/MIN) At 60 PSI (ASME A112.18.1M/A112.18.1)

#### **APPROVALS:**

**Meets or Exceeds The Following:**

- \* ANSI/ASME A112.18.1M/A112.18.1
- \* NSF/ANSI 61 - Sec. 9
- \* NSF/ANSI 372
- \* IAPMO/cUPC
- \* CA AB1953

P4C-500C  
Chrome Finish

P4C-500BN  
Brushed Nickel Finish

P4C-500CL  
Less Pop-up  
Chrome Finish

P4C-500BNL  
Less Pop-up  
Brushed Nickel Finish



NSF/ANSI 372  
NSF/ANSI 61-9



**TEL: 855-806-0688**

**FAX: 845-350-4043**

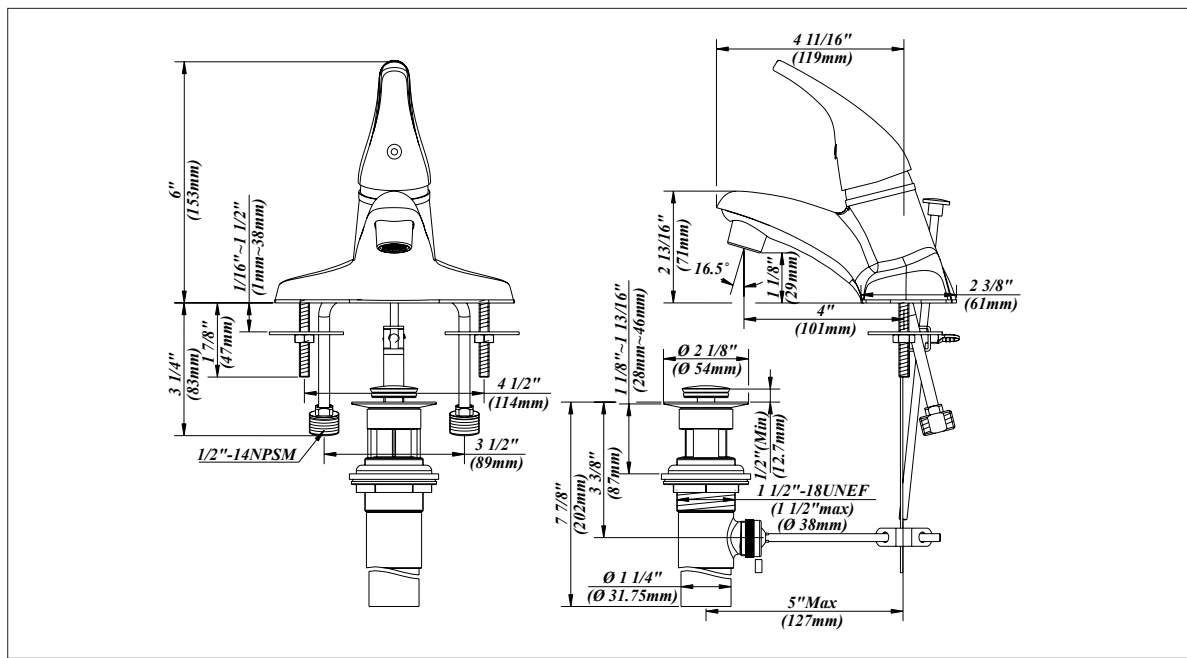
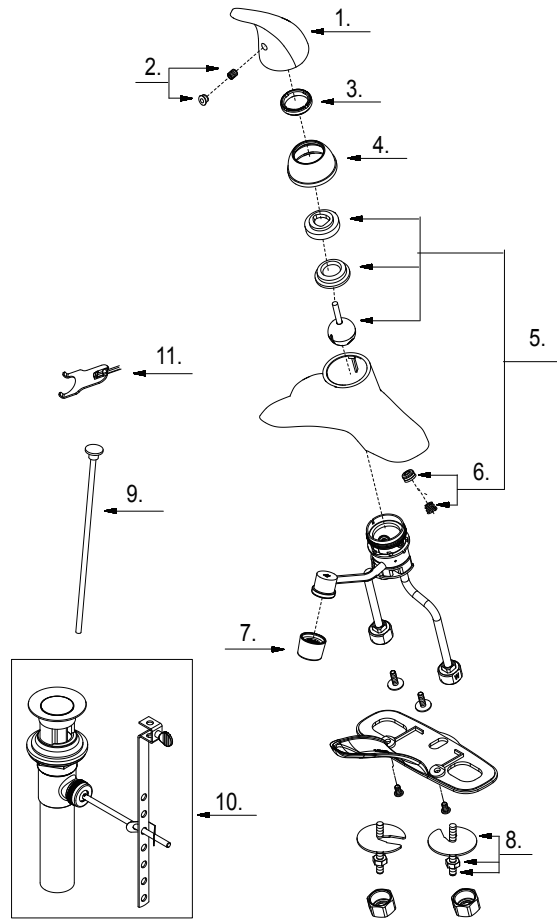
Visit Our Web Site : [www.plumb4orce.com](http://www.plumb4orce.com)

- P4C-500C**       **P4C-500BN**
- P4C-500CL**     **P4C-500BNL**



# 4" Single Handle Lavatory Faucet

No.	Name	Part No.
1	Metal Handle	A069549
2	Index Button-Cold/Hot	A66D567
3	Lock Nut Set	A104001
4	Trim Cap	A103022
5	Ball Valve Assembly	A66D641N
6	Seat & Spring Set	A663002
7	Aerator	A500267N-64
8	Mounting Hardware	A663638
9	Lift Rod	A025011
10	Pop-up Assembly	A556200
11	Wrench	A031001NI



**Product Spec Sheet**