

For Residential and Commercial Applications

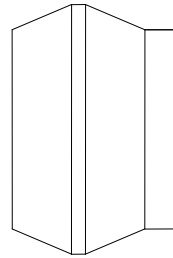
Job Name		Engineer / Architect	
Job Location		Wholesaler	
Submittal Date		Contractor	

CSP Series Compression Plugs

Use: For use with instrumentation, hydraulic and pneumatic systems. Designed for use with aluminum, copper and plastic tubing. Not intended for use with steel tubing

Design Features:

- **Little to no tube preparation.** Compression fittings do not require flaring, soldering or other types of tube preparation
- **Available in a broad range of sizes**

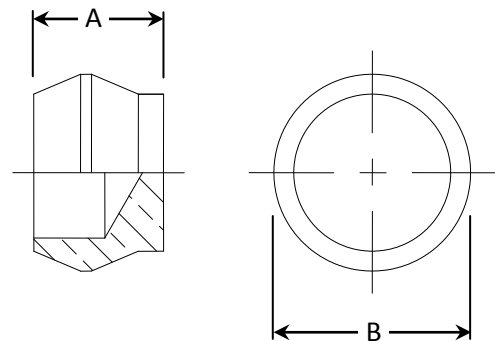


Operating Specifications:

- Temperature:** -65° - 250° F at maximum operating pressures
- Working Pressure:** See chart below
- Vibration:** Fair vibration resistance

WORKING PRESSURE		
PSI	Tube O.D.	Tube Wall (Inches)
300	1/4	0.030
200	3/8	0.032
200	1/2	0.032
150	5/8	0.035

MATERIAL SPECIFICATIONS		
Compression Plug	C36000 brass	
PART DIMENSIONS (Inches)		
Model	DIM. A	DIA. B
CSP-4	.31	.34
CSP-6	.31	.47
CSP-8	.34	.59
CSP-10	.34	.72



Part Listing:

- CSP-4 For 1/4" OD Tube
- CSP-4 B For 1/4" OD Tube, bulk
- CSP-6 For 3/8" OD Tube
- CSP-6 B For 3/8" OD Tube, bulk
- CSP-8 For 1/2" OD Tube
- CSP-8 B For 1/2" OD Tube, bulk
- CSP-10 For 5/8" OD Tube
- CSP-10 B For 5/8" OD Tube, bulk

This specification and all information contained herein is the confidential and exclusive property of BrassCraft Manufacturing, and shall not be disclosed to others without the written consent of BrassCraft. This specification must be returned to BrassCraft if requested.

