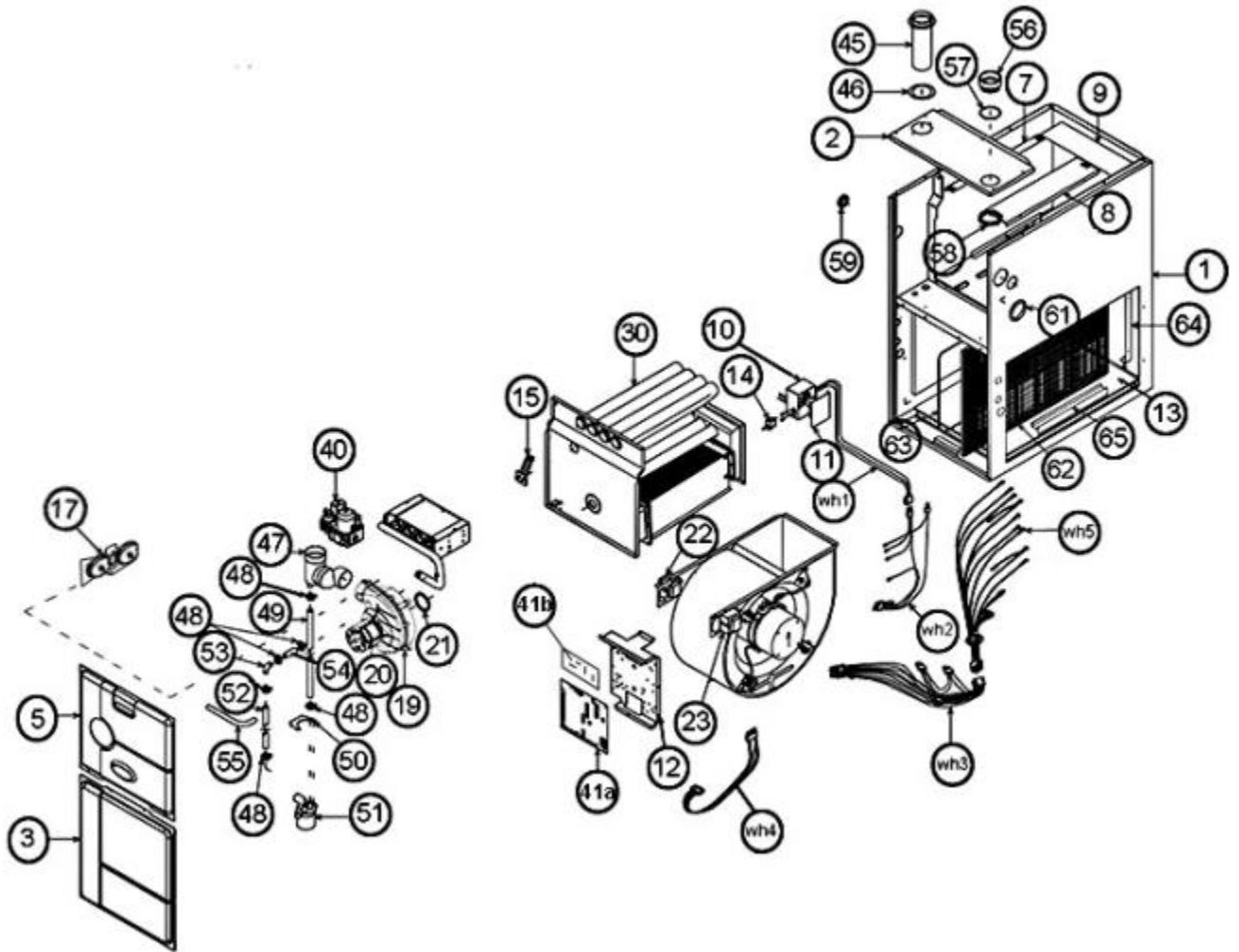
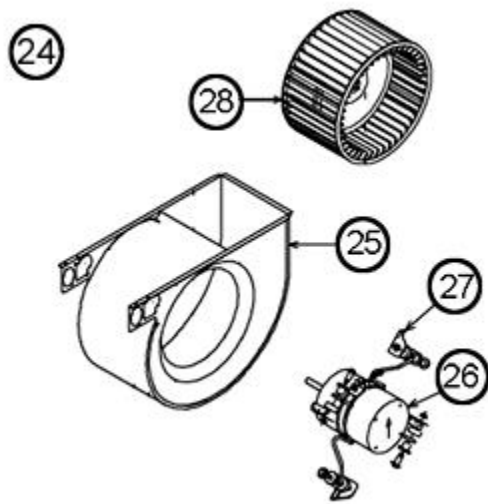


No.	Notes	MODEL HEATING CAPACITY BLOWER DESIGNATION VARIATIONS AIRFLOW FUEL DESIGNATION	RGFG-	RGFG-	RGFG-	RGFG-	RGFG-
			06E M C K S	07E M C K S	09E Z C M S	10E Z C M S	12E R C M S
ELECTRIC GROUP							
14		Door Switch - Push Button	42-22692-07	42-22692-07	42-22692-07	42-22692-07	42-22692-07
15	Stk	Limit - Main Limit (Heat Exchanger Panel)	47-25350-07	47-25350-01	47-25350-12	47-25350-07	47-25350-01
16	Stk	Limit - Manual Reset (Burner Compartment)	47-22861-02	47-22861-02	47-22861-02	47-22861-02	47-22861-02
16a		Bracket (Limit - Manual Reset)	(1)	(2)	(2)	(2)	(3)
			See Heat Exchanger Group				
17	Stk	Pressure Switch - Dual	42-102056-25	42-102056-26	42-102056-27	42-102056-28	42-102056-29
19	Stk	Induced Draft Blower w/Gasket	70-103597-01	70-103597-01	70-103597-01	70-103597-01	70-103597-01
20	Stk	Capacitor - Induced Draft Blower	N/A	N/A	N/A	N/A	N/A
21		Gasket - Induced Draft Blower	68-24016-01	68-24016-01	68-24016-01	68-24016-01	68-24016-01
22	Stk	Transformer	46-102856-01	46-102856-01	46-102856-01	46-102856-01	46-102856-01
23		Power Factor Choke	N/A	N/A	46-24256-02	46-24256-02	46-24256-02
23	4	Power Factor Choke - Before F1712 (See Note 4)	46-24256-02	46-24256-02	N/A	N/A	N/A
	4	Jumper Wire Assembly - After F1712 (See Note 4)	45-104318-01	45-104318-01	N/A	N/A	N/A
		Push Mount Tie (for Memory Card Wire Tie)	64-102873-01	64-102873-01	64-102873-01	64-102873-01	64-102873-01
		Memory Card	47-103687-25	47-103687-26	47-103687-27	47-103687-28	47-103687-29
wh1		Wiring Harness - 3 pin to stripback and eye connectors (Junction Box)	45-24371-53	45-24371-53	45-24371-53	45-24371-53	45-24371-53
wh2		Wiring Harness - 5 pin to 2 pin and 3 pin connectors (Power to IFC, Motor and Power Factor Correction Choke)	45-103617-01	45-103617-01	45-103617-01	45-103617-01	45-103617-01
wh3		Wiring Harness - IFC (Integrated Furnace Control) to Twist-Lock	See Gas Controls				
wh4		Wiring Harness - 4 pin to 4 pin for Motor Communications (IFC to Blower Motor)	45-103680-01	45-103680-01	45-103680-01	45-103680-01	45-103680-01
wh5		Wire Harness - (Twist-Lock Wiring to Burner Compartment)	See Gas Controls				
		Wiring Harness - 4 Pin to 4 Pin - IFC to ICM (Inducer Control Module)	45-103619-01	45-103619-01	45-103619-01	45-103619-01	45-103619-01
	1	Wire Assembly - 1/4 in. Quick Connect to 1/4 in. Quick Connect - 10 in. red (MRLC to MRLC)	N/A	45-103024-01	45-103024-01	45-103024-01	45-103024-01

No.	Notes	MODEL HEATING CAPACITY BLOWER DESIGNATION VARIATIONS AIRFLOW FUEL DESIGNATION	RGFG-	RGFG-	RGFG-	RGFG-	RGFG-
			06E M C K S	07E M C K S	09E Z C M S	10E Z C M S	12E R C M S
BLOWER GROUP							
24	Stk	Blower Assembly (Includes items 25-28)	AS-67876-33	AS-67876-33	AS-67876-34	AS-67876-34	AS-67876-35
25		Housing	AS-61674-02	AS-61674-02	AS-61674-08	AS-61674-08	AS-61674-03
26	Stk,5	Blower Motor - Communicating ECM (See Note 5)	51-102602-01	51-102602-01	51-102605-01	51-102605-01	51-102605-01
	Stk,5	ECM Motor Module - Genteq ECM 3.0 (See Note 5)	51-103226-01	51-103226-01	51-103223-01	51-103223-01	51-103223-01
	Stk,5	ECM Motor Module - U.S. Motors PerfectSpeed (See Note 5)	51-104362-03	51-104362-03	51-104362-01	51-104362-01	51-104362-01
		Motor Mount Kit (Grommets, Screws, Nuts, Belly Band, Brackets)	70-24104-82	70-24104-82	70-24104-82	70-24104-82	70-24104-82
		ECM Motor Mount (Belly Band)	70-24104-02	70-24104-02	70-24104-02	70-24104-02	70-24104-02
27		Motor Mount Bracket (4)	AE-61956-01	AE-61956-01	AE-61956-01	AE-61956-01	AE-61956-01
28	Stk	Blower Wheel	70-24254-02	70-24254-02	70-24179-01	70-24179-01	70-23111-20



Exploded View



Blower Assembly