

## PUSH PULL®

### Tub Trim Kits

#### SPECIFICATIONS

#### FEATURES:

- Theft-resistant, brass stopper
- Metal strainer body, 1.25" deep
- Metal overflow plate, 3.375" wide
- Designed for heavy-duty use in hotels, motels, and rental property
- Replaceable, drip-proof Buna-N-Seal
- Adapter bar for changing from two to one-hole overflow plate

#### PATENTS:

- U.S. Patent No. 4,720,877

#### OPERATION:

- Push down to close. Pull to open. No stopper rotation required.



#### Finishes Available in the PUSH PULL® Series:

Trim Kits:	38080	38090 38490	38190 38290 38390	38212	38296	38420 38433
CP - Chrome Plated	•	•	•	•	•	•
AB - Antique Brass	•	•	•	•		
AP - Aged Pewter	•		•			
BB - Brushed Bronze	•		•			
BN - Brushed Nickel	•		•	•		
BO - Bone	•	•	•	•		
BS - Biscuit	•		•			
BZ - Oil-Rubbed Bronze	•		•	•		
CB - Chrome Brushed	•		•	•		
NP - Nickel Polished	•		•			
PB - Polished Brass	•	•	•	•	•	
PN - Pearl Nickel	•		•	•		
WH - White	•	•	•	•		
WI - Wrought Iron	•		•			

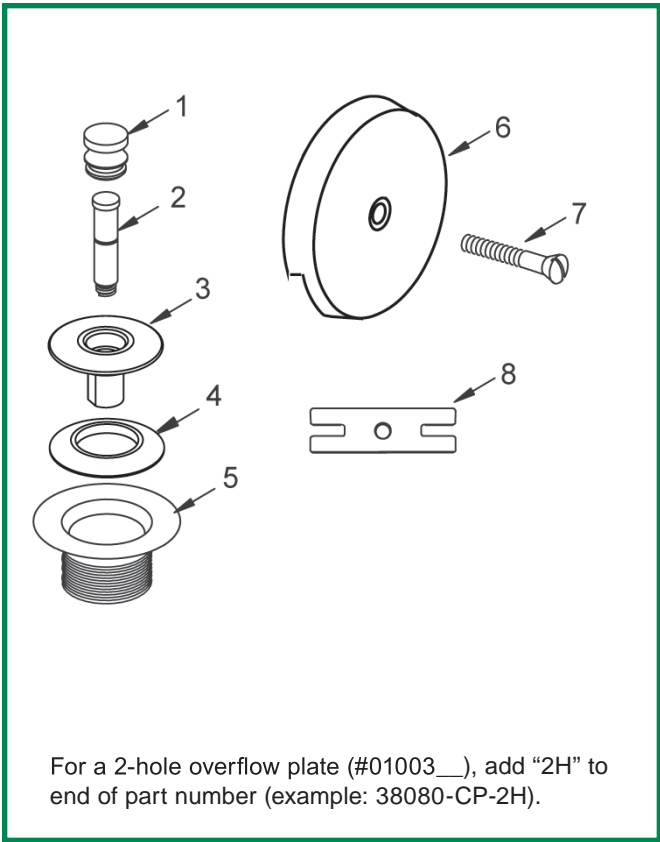
See price list for complete item numbers and available options.

When ordering, please specify complete item number and any applicable option codes.



For More Information Contact:  
**WATCO Manufacturing Company**  
 1220 South Powell Road  
 Independence, MO 64057-2724  
 Ph. 816-796-3900 • FAX 816-796-0875  
[www.watcomfg.com](http://www.watcomfg.com)

# PUSH PULL® TRIM KIT PARTS LIST



Item	Part #	Description
------	--------	-------------

**WITH COARSE-THREAD BODY:**

1. 01010\_\_\*... Knob, Brass
2. 11510..... Post (11505) and Friction Ring (11532), 3/8"
3. 01013\_\_\*... PUSH PULL® Stopper, Brass
4. 11507 ..... Seal, 1<sup>1</sup>/<sub>16</sub>" dia.
5. 01016\_\_\*... Strainer Body, Brass
6. 01002\_\_\* .. 1-Hole Overflow Plate, metal
7. 01024\_\_\*... Overflow Plate Screw, 2.25"
8. 11641 ..... Adapter Bar

**WITH FINE-THREAD BODY:**

1. 01010\_\_\*... Knob, Brass
2. 11510..... Post (11505) and Friction Ring (11532), 3/8"
3. 01013\_\_\*... PUSH PULL® Stopper, Brass
4. 11507 ..... Seal, 1<sup>1</sup>/<sub>16</sub>" dia.
5. 01022\_\_\* .. Strainer Body, Brass
6. 01002\_\_\* .. 1-Hole Overflow Plate, metal
7. 01024\_\_\*... Overflow Plate Screw, 2.25"
8. 11641 ..... Adapter Bar

\*Please indicate desired finish.