

TECH TIP • WIRING A LEGACY THERMOSTAT WITH COMMUNICATING OUTDOOR AND INDOOR EQUIPMENT

Issue: May 2026

Category: Wiring / Controls

By: Mike Smith, Technical Service Specialist

“When using a legacy thermostat with communicating outdoor and indoor equipment, the wiring approach may surprise you — the units still communicate with each other regardless of the stat.”

OVERVIEW

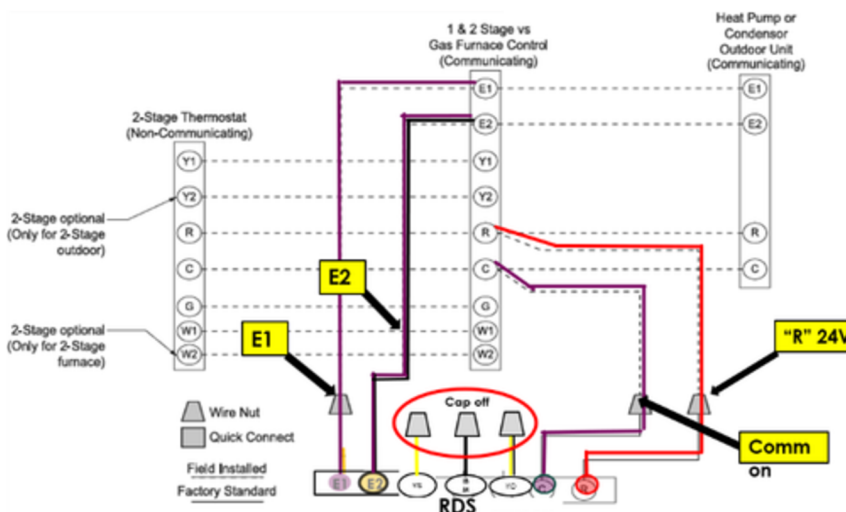
A legacy thermostat doesn't prevent communicating equipment from doing its job. The outdoor and indoor units will still talk to each other through the RDS, and the wiring to the furnace remains the same whether you have a fully communicating system or just a communicating indoor unit paired with a legacy stat.

KEY STEPS / WHAT TO KNOW

1. The outdoor and indoor units still communicate with each other even when a legacy thermostat is used.
2. Wire the RDS communicating — R, C, E1, and E2 — to the furnace.
3. This applies even if only the indoor unit is communicating; the coil and furnace will still talk to each other.

PRO TIP

Even with a legacy stat, don't skip the communicating wiring on the RDS. Wiring R, C, E1, and E2 to the furnace is required for the indoor and outdoor units to function correctly together.



DIAGRAM

Wiring Diagram for a Legacy Thermostat with Communicating Outdoor and Indoor Unit